



To protect our health, we need it evrywhere...



MAD-101 Touch-free Sanitizer / Soap Dispenser



CE
2004/108/EC

MAD-102 Touch-free Sanitizer / Soap Dispenser



CE
2004/108/EC

FEATURES:

Fully Automatic / Touch-free

No need to touch any part. Place your hand under the nozzle, infrared sensor will detect your hand and dispense the chemicals (sanitizer or soap) automatically.

Suitable for Multiple Solution

The machine can be used for disinfectant spray, disinfectant gel, or liquid soap.

Level Checking Window

With the transparent window, the user can easily check the level of liquid without opening the front cover.

Dispensing Volume Adjusting

The dispensing volume can be adjusted by user.

LED Indicator

When the LED indicator blink in green, it means the machine is operating; when the LED light up in red, it means the battery power is low.

Sensor Volume Switch

The sensor detecting area can be adjusted with sensor volume switch.

Safety Switch

When opening the front cover, the safety switch will prevent the machine dispense the liquid.

Power Mode(AC/DC available)

The machine can be used with 4pcs D-cell batteries or AC power adaptor; use 4 brand-new alkaline batteries can operate the machine over 100,000 times continuously (tested with soap).

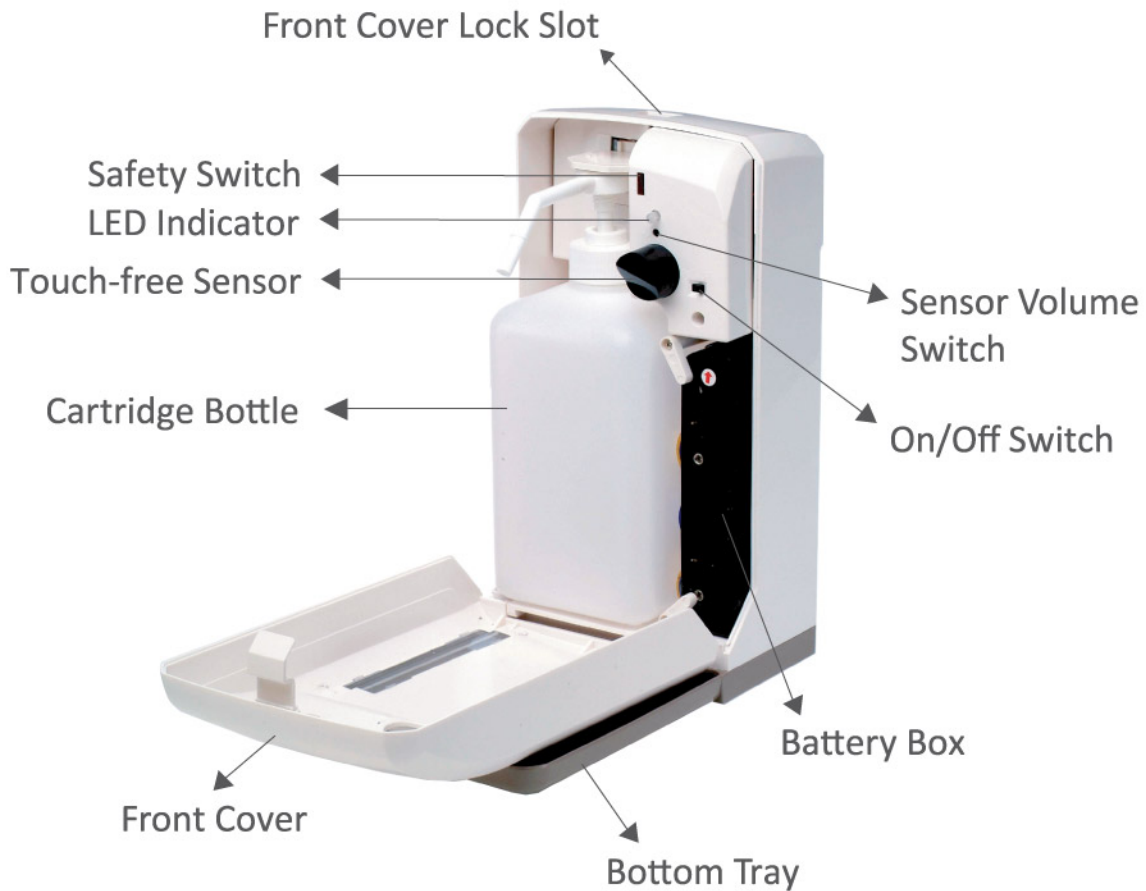
ON/OFF Switch

When the machine will not be used in a long time, the user can turn the switch to OFF to save the power.

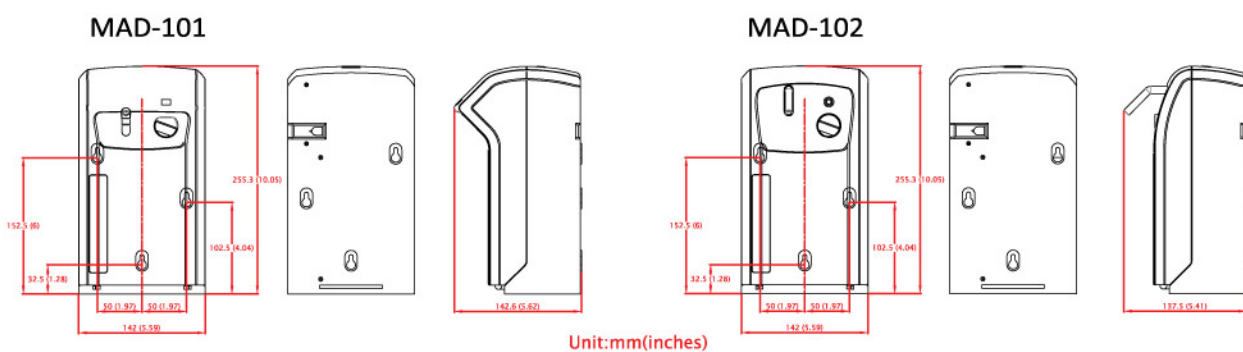
Easier for Mounting in any place

The machine can be mounted on the wall or stand on the desk, you can install this unit in any place, especially in hospital, restaurant, kindergarten...etc.

Component Chart



Dimensions



Specifications

Name	Touch-free Dispenser
Dimensions	MAD-101(W142mmXD143mmX255mm) / MAD-102(W142mmXD104mmX255mm)
Weight	MAD-101(780g) / MAD-102(740g)(excluding chemicals)
Materials	Front Cover ABS Body ABS Window PC Bottom Tray ABS
Power Source	4 "D" Cell batteries or AC power adaptor
Cartridge Bottle	1 Liter
Installation	Counter Top or Wall Mount

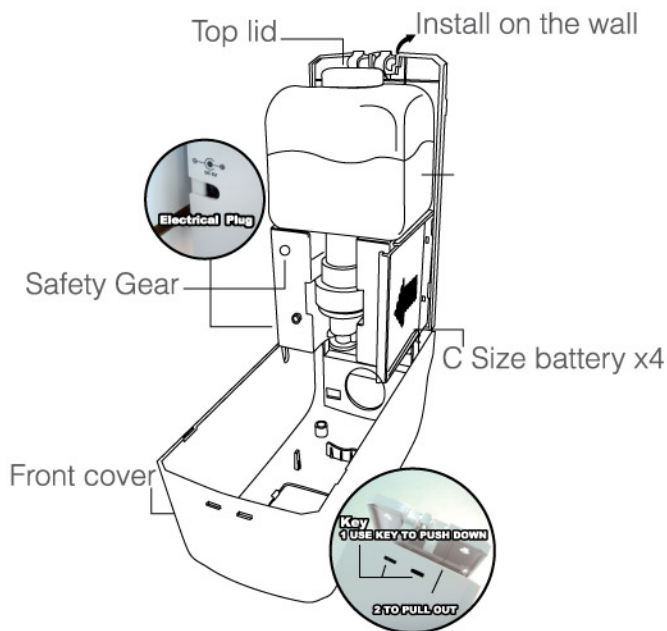
AD-901 Automatic Foam Soap Liquid Soap Dispenser

Characteristics

1. Automatic type
2. Easy installation and refilling
3. Saving the soap and water.
4. Cartridge or refill available.
5. AC & DC available
DC with 1.5V C size battery X 4
AC with 110V / 220V -> 6V adapter
6. Suitable for hospital, restaurant,
Kindergarten...etc. public places.



Component Chart



Specifications

Dispenser Size: 259x124x115mm
Bottle Size: 104x108x94mm
Bottle Capacity: 1000ml
Material of Dispenser: ABS
Material of Bottle: PET

Models

AD-901F
Automatic Foam Soap Dispenser
AD-901S
Automatic Liquid Soap Dispenser